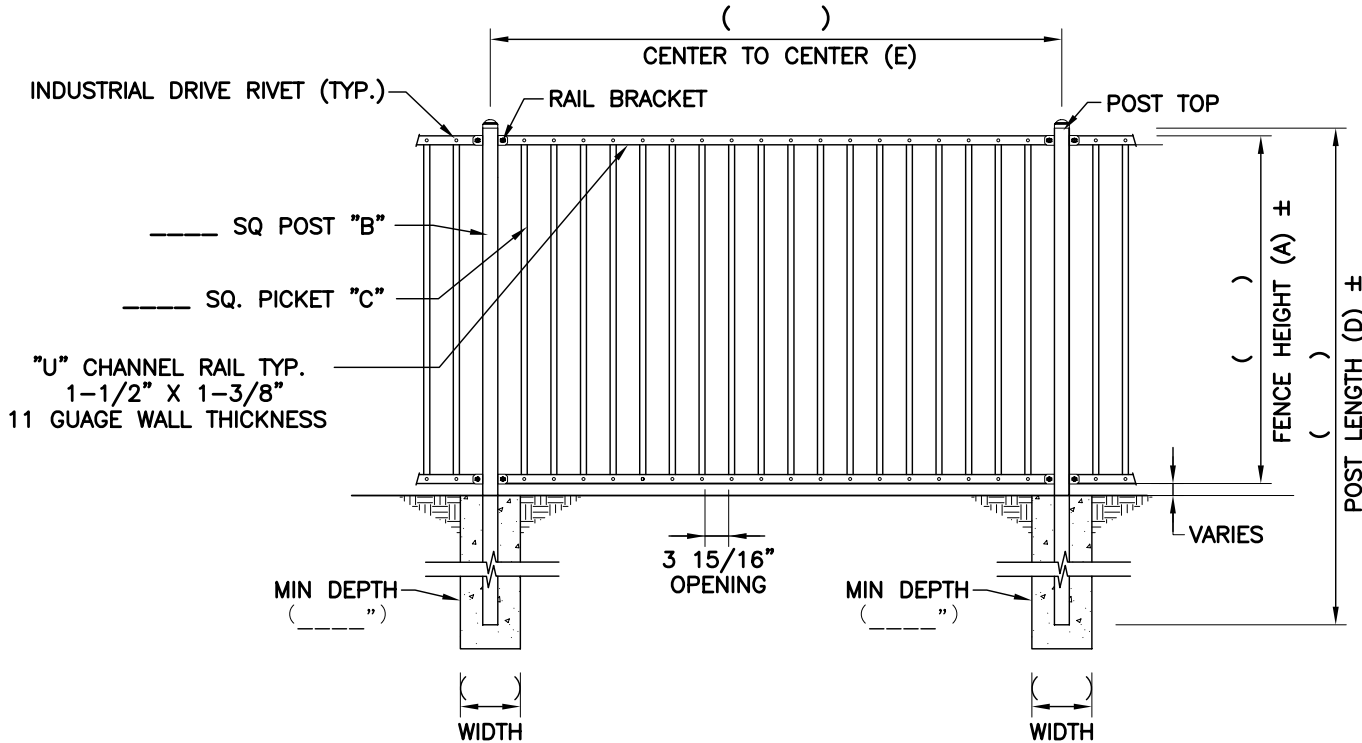


Regency


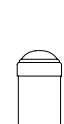
2 RAIL TUBULAR IRON SERIES, STYLE LF-R02



FENCE SECTION ELEVATION
SCALE : NONE

NOTES:

1. DRAWINGS ARE NOT TO SCALE.
2. FOOTING WIDTH TO BE FOUR(4) TIMES THE POST WIDTH.
3. PICKETS SHALL BE SECURED TO RAILS WITH 1/4" ALUMINUM INDUSTRIAL DRIVE RIVETS.
4. MAXIMUM RAKE APPROXIMATELY SIX(6) INCHES.

POST TOP OPTIONS	
BALL	FLAT
	

PICKET OPTION (C)	
3/4" SQ	18 GA
OR	16 GA
1" SQ	14 GA

A	___" NOM HEIGHT
B	___" POST SIZE ___GAUGE
C	___" PICKET SIZE ___GAUGE
D	___" POST LENGTH
E	___" CENTER TO CENTER

POST OPTION (B)	
2" SQ X 14 GA	3'-0"
2 1/2" SQ X 14 GA	3'-6"
3" SQ X 12 GA	4'-0"
4" SQ X 11 GA	5'-0"
6" SQ X 3/16" WALL	6'-0"
8" SQ X 1/4" WALL	7'-0"
10" SQ X 1/4" WALL	8'-0"

NOMINAL HEIGHT (A)
3'-0"
3'-6"
4'-0"
5'-0"
6'-0"
7'-0"
8'-0"

CAD #	MAP
DRAWN BY:	
CKD. BY:	
DATE:	
SCALE:	NONE
SHEET NO.	

PROJECT NO.	
PROJECT MANAGER	

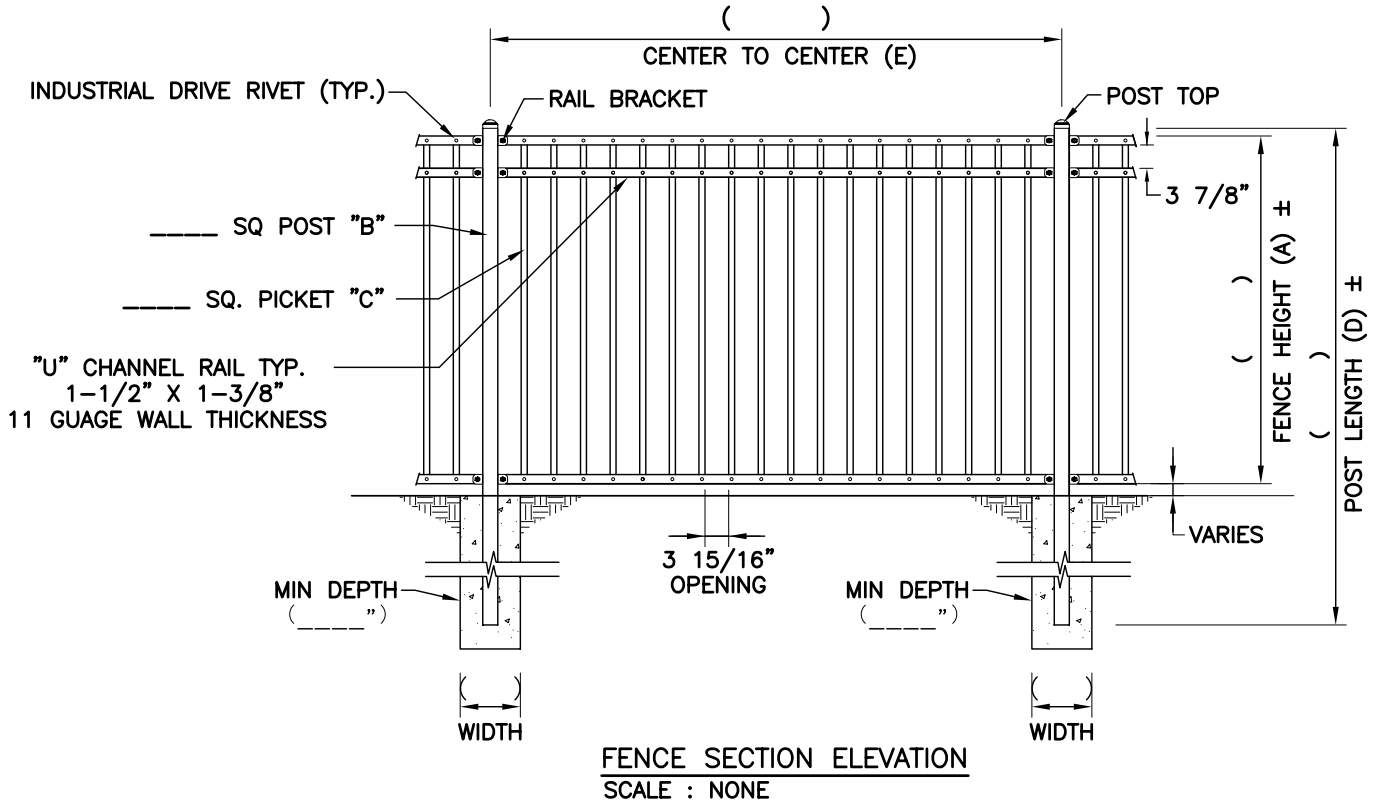
LONG FENCE
www.longfence.com
8545 EDGEWORTH DRIVE
CAPITOL HEIGHTS, MD, 20743
(301) 350-2400
6837

PROJECT	
DRAWING TITLE	FENCE DETAIL

SITE:	
-------	--



Regency

3 RAIL TUBULAR IRON SERIES, STYLE LF-R03



NOTES:

1. DRAWINGS ARE NOT TO SCALE.
2. FOOTING WIDTH TO BE FOUR(4) TIMES THE POST WIDTH.
3. PICKETS SHALL BE SECURED TO RAILS WITH 1/4" ALUMINUM INDUSTRIAL DRIVE RIVETS.
4. MAXIMUM RAKE APPROXIMATELY SIX(6) INCHES.

POST TOP OPTIONS	
BALL	FLAT
	

PICKET OPTION (C)	A ____" NOM HEIGHT
3/4" SQ > 18 GA	B ____" POST SIZE ____GAUGE
OR > 16 GA	C ____" PICKET SIZE ____GAUGE
1" SQ > 14 GA	D ____" POST LENGTH
	E ____" CENTER TO CENTER

POST OPTION (B)	NOMINAL HEIGHT (A)
2" SQ X 14 GA	3'-0"
2 1/2" SQ X 14 GA	3'-6"
3" SQ X 12 GA	4'-0"
4" SQ X 11 GA	5'-0"
6" SQ X 3/16" WALL	6'-0"
8" SQ X 1/4" WALL	7'-0"
10" SQ X 1/4" WALL	8'-0"

CAD #:	MAP
DRAWN BY:	
CHKD. BY:	
DATE:	
SCALE:	NONE
SHEET NO.:	

PROJECT NO.:	PROJECT MANAGER
--------------	-----------------

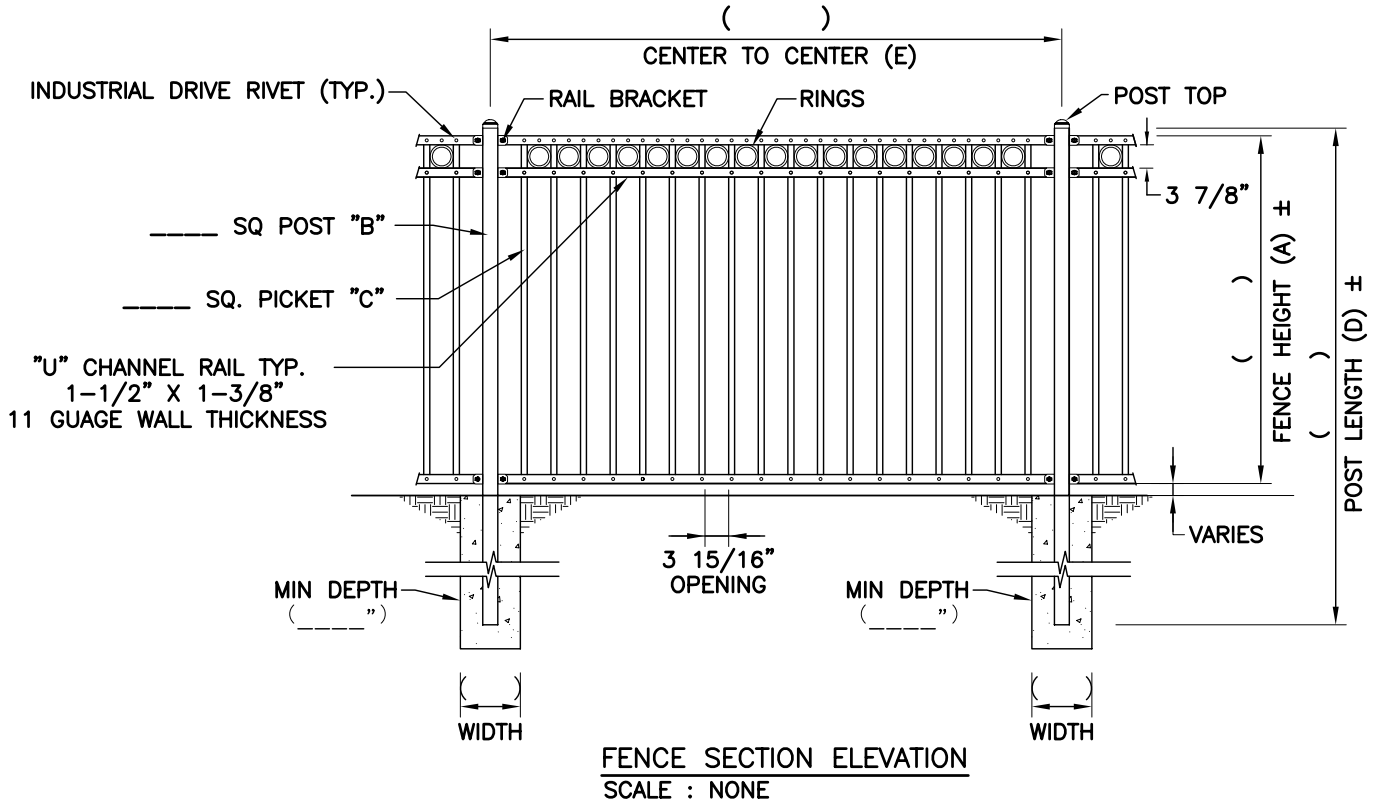
LONG FENCE
www.longfence.com
 8545 EDGEWORTH DRIVE
 CAPITOL HEIGHTS, MD. 20743
 (301) 350-2400
©2007

PROJECT	DRAWING TITLE
	FENCE DETAIL


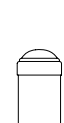
SITE:

Regency

3 RAIL TUBULAR IRON SERIES, STYLE LF-R03-R1



- NOTES:**
1. DRAWINGS ARE NOT TO SCALE.
 2. FOOTING WIDTH TO BE FOUR(4) TIMES THE POST WIDTH.
 3. PICKETS SHALL BE SECURED TO RAILS WITH 1/4" ALUMINUM INDUSTRIAL DRIVE RIVETS.
 4. MAXIMUM RAKE APPROXIMATELY SIX(6) INCHES.

POST TOP OPTIONS	
BALL	FLAT
	

PICKET OPTION (C)	
3/4" SQ	18 GA
OR	16 GA
1" SQ	14 GA

A	___" NOM HEIGHT
B	___" POST SIZE ___ GAUGE
C	___" PICKET SIZE ___ GAUGE
D	___" POST LENGTH
E	___" CENTER TO CENTER

POST OPTION (B)	NOMINAL HEIGHT (A)
2" SQ X 14 GA	3'-0"
2 1/2" SQ X 14 GA	3'-6"
3" SQ X 12 GA	4'-0"
4" SQ X 11 GA	5'-0"
6" SQ X 3/16" WALL	6'-0"
8" SQ X 1/4" WALL	7'-0"
10" SQ X 1/4" WALL	8'-0"

CAD #:	MAP
DRAWN BY:	
CHKD. BY:	
DATE:	
SCALE:	NONE
SHEET NO.:	

PROJECT NO.:	
PROJECT MANAGER:	

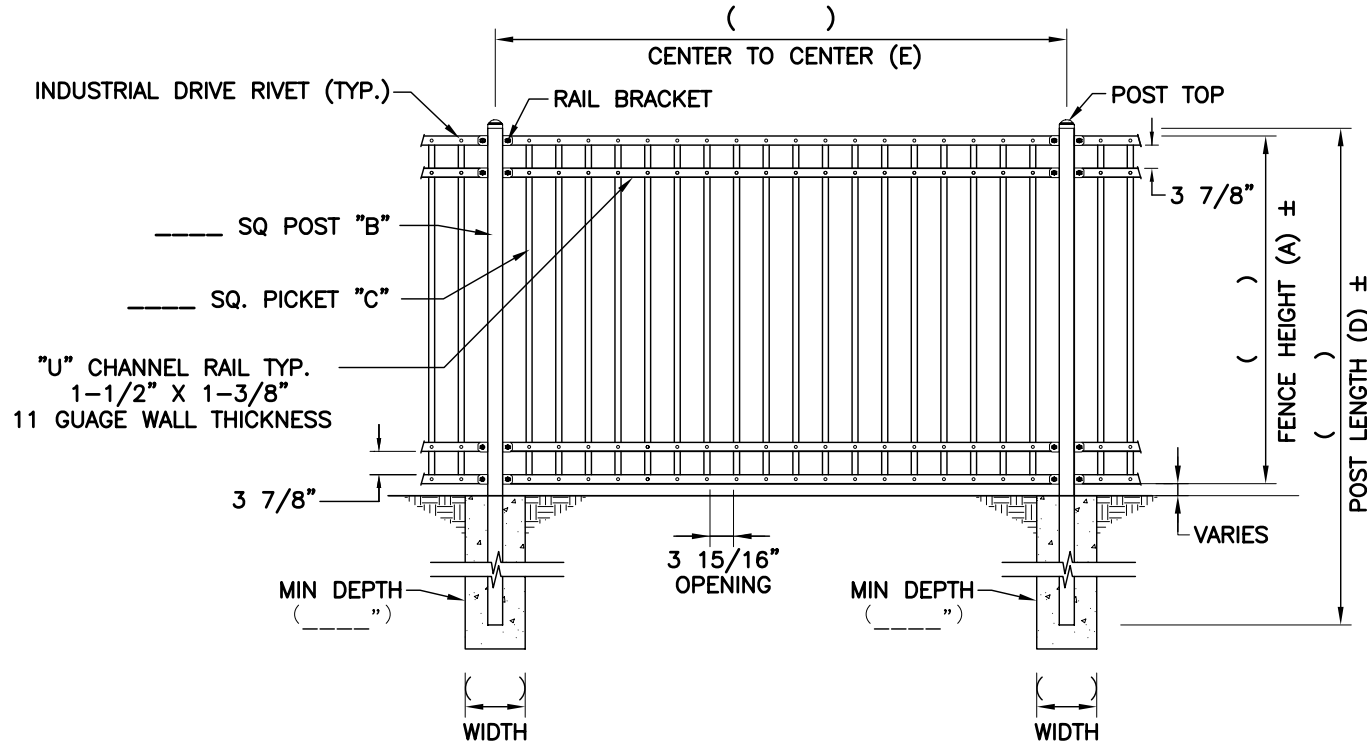
LONG FENCE
www.longfence.com
 8545 EDGEWORTH DRIVE
 CAPITOL HEIGHTS, MD. 20743
 (301) 350-2400
©2007

PROJECT	
DRAWING TITLE	FENCE DETAIL

SITE:	
-------	--

Regency



4 RAIL TUBULAR IRON SERIES, STYLE LF-R04



FENCE SECTION ELEVATION
SCALE : NONE

NOTES:

1. DRAWINGS ARE NOT TO SCALE.
2. FOOTING WIDTH TO BE FOUR(4) TIMES THE POST WIDTH.
3. PICKETS SHALL BE SECURED TO RAILS WITH 1/4" ALUMINUM INDUSTRIAL DRIVE RIVETS.
4. MAXIMUM RAKE APPROXIMATELY SIX(6) INCHES.

POST TOP OPTIONS	
BALL	FLAT
	

PICKET OPTION (C)	
3/4" SQ	18 GA
OR	16 GA
1" SQ	14 GA

A	___" NOM HEIGHT
B	___" POST SIZE ___ GAUGE
C	___" PICKET SIZE ___ GAUGE
D	___" POST LENGTH
E	___" CENTER TO CENTER

POST OPTION (B)	NOMINAL HEIGHT (A)
2" SQ X 14 GA	3'-0"
2 1/2" SQ X 14 GA	3'-6"
3" SQ X 12 GA	4'-0"
4" SQ X 11 GA	5'-0"
6" SQ X 3/16" WALL	6'-0"
8" SQ X 1/4" WALL	7'-0"
10" SQ X 1/4" WALL	8'-0"

CAD #:	MAP
DRAWN BY:	
CHKD. BY:	
DATE:	
SCALE:	NONE
SHEET NO.:	

PROJECT NO.:	
PROJECT MANAGER:	

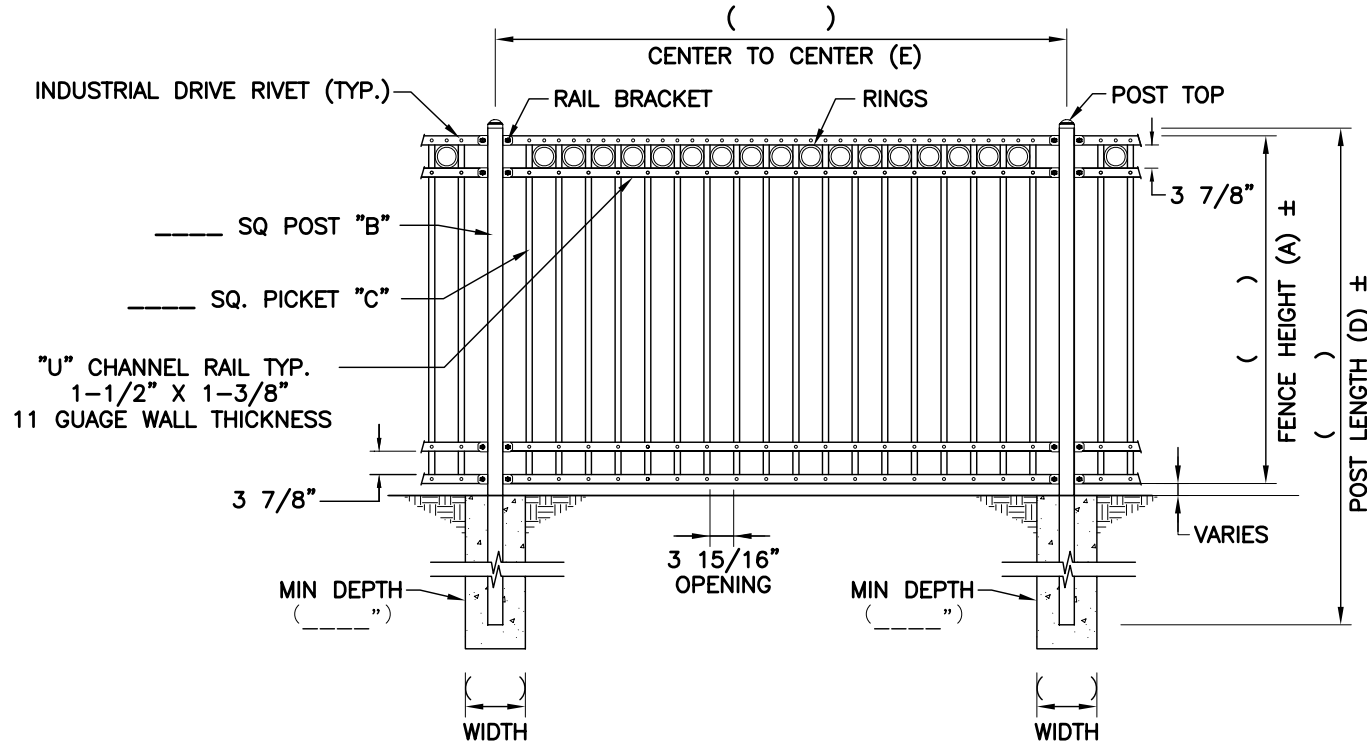
LONG FENCE
www.longfence.com
 8545 EDGEWORTH DRIVE
 CAPITOL HEIGHTS, MD, 20743
 (301) 350-2400
 6837

PROJECT:	
DRAWING TITLE:	FENCE DETAIL

SITE:	
-------	--

Regency



4 RAIL TUBULAR IRON SERIES, STYLE LF-R04-R1



FENCE SECTION ELEVATION
SCALE : NONE

NOTES:

1. DRAWINGS ARE NOT TO SCALE.
2. FOOTING WIDTH TO BE FOUR(4) TIMES THE POST WIDTH.
3. PICKETS SHALL BE SECURED TO RAILS WITH 1/4" ALUMINUM INDUSTRIAL DRIVE RIVETS.
4. MAXIMUM RAKE APPROXIMATELY SIX(6) INCHES.

POST TOP OPTIONS	
BALL	FLAT
	

PICKET OPTION (C)	
3/4" SQ	18 GA
OR	16 GA
1" SQ	14 GA

A	___" NOM HEIGHT
B	___" POST SIZE ___ GAUGE
C	___" PICKET SIZE ___ GAUGE
D	___" POST LENGTH
E	___" CENTER TO CENTER

POST OPTION (B)	NOMINAL HEIGHT (A)
2" SQ X 14 GA	3'-0"
2 1/2" SQ X 14 GA	3'-6"
3" SQ X 12 GA	4'-0"
4" SQ X 11 GA	5'-0"
6" SQ X 3/16" WALL	6'-0"
8" SQ X 1/4" WALL	7'-0"
10" SQ X 1/4" WALL	8'-0"

CAD #	MAP
DRAWN BY:	
CHKD. BY:	
DATE:	
SCALE:	NONE
SHEET NO.	

PROJECT NO.	PROJECT MANAGER
-------------	-----------------

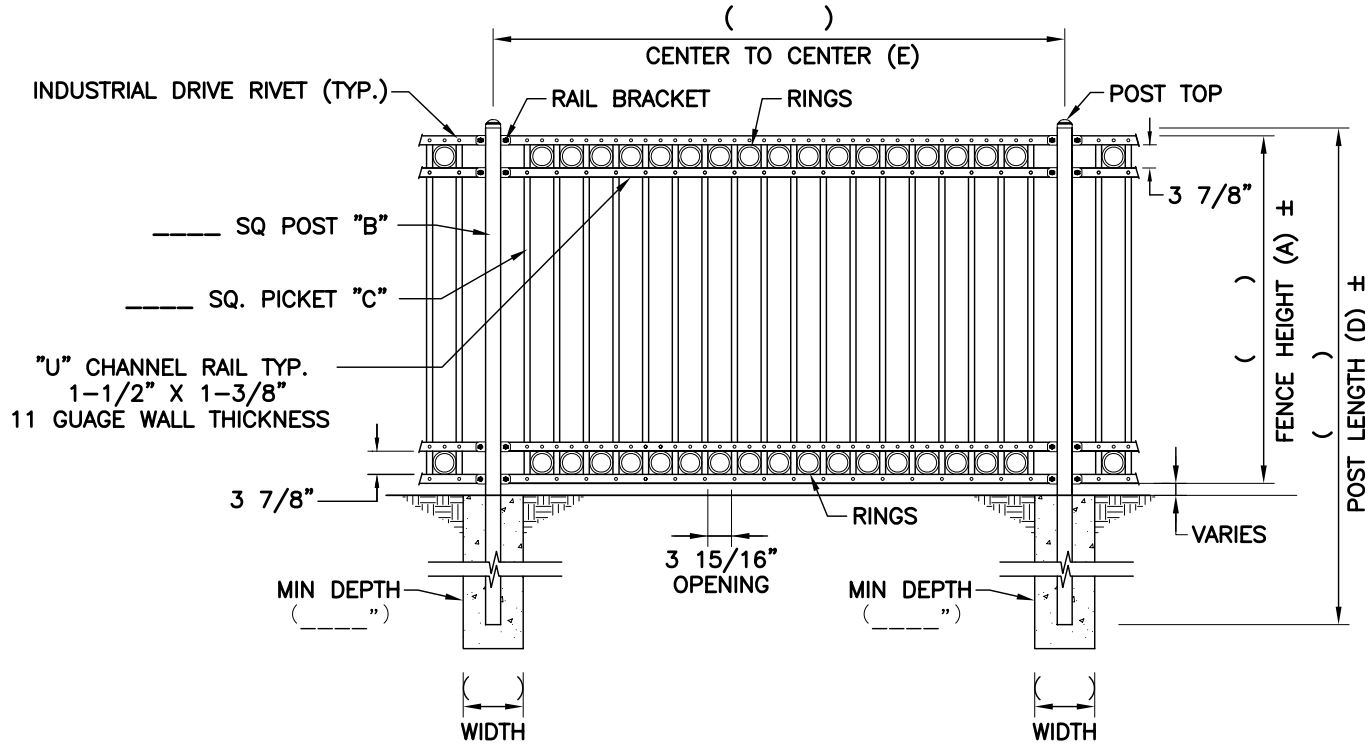
LONG FENCE
www.longfence.com
 8545 EDGEWORTH DRIVE
 CAPITOL HEIGHTS, MD. 20743
 (301) 350-2400
 8687

PROJECT	DRAWING TITLE
	FENCE DETAIL

SITE:	
-------	--

Regency

4 RAIL TUBULAR IRON SERIES, STYLE LF-R04-R2



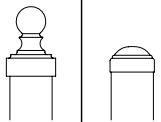
FENCE SECTION ELEVATION
SCALE : NONE

NOTES:

1. DRAWINGS ARE NOT TO SCALE.
2. FOOTING WIDTH TO BE FOUR(4) TIMES THE POST WIDTH.
3. PICKETS SHALL BE SECURED TO RAILS WITH 1/4" ALUMINUM INDUSTRIAL DRIVE RIVETS.
4. MAXIMUM RAKE APPROXIMATELY SIX(6) INCHES.

POST TOP OPTIONS

BALL FLAT



PICKET OPTION (C)

3/4" SQ > 18 GA
OR > 16 GA
1" SQ > 14 GA

A ____" NOM HEIGHT
B ____" POST SIZE ____GAUGE
C ____" PICKET SIZE ____GAUGE
D ____" POST LENGTH
E ____" CENTER TO CENTER

POST OPTION (B)

2" SQ X 14 GA
2 1/2" SQ X 14 GA
3" SQ X 12 GA
4" SQ X 11 GA
6" SQ X 3/16" WALL
8" SQ X 1/4" WALL
10" SQ X 1/4" WALL

NOMINAL HEIGHT (A)

3'-0"
3'-6"
4'-0"
5'-0"
6'-0"
7'-0"
8'-0"

CAD #:	MAP
DRAWN BY:	
CKD. BY:	
DATE:	
SCALE:	NONE
SHEET NO.:	

PROJECT NO.:	
PROJECT MANAGER:	

LONG FENCE
www.longfence.com
8545 EDGEWORTH DRIVE
CAPITOL HEIGHTS, MD. 20743
(301) 350-2400
6837

PROJECT:	
DRAWING TITLE:	FENCE DETAIL

SITE:	
-------	--