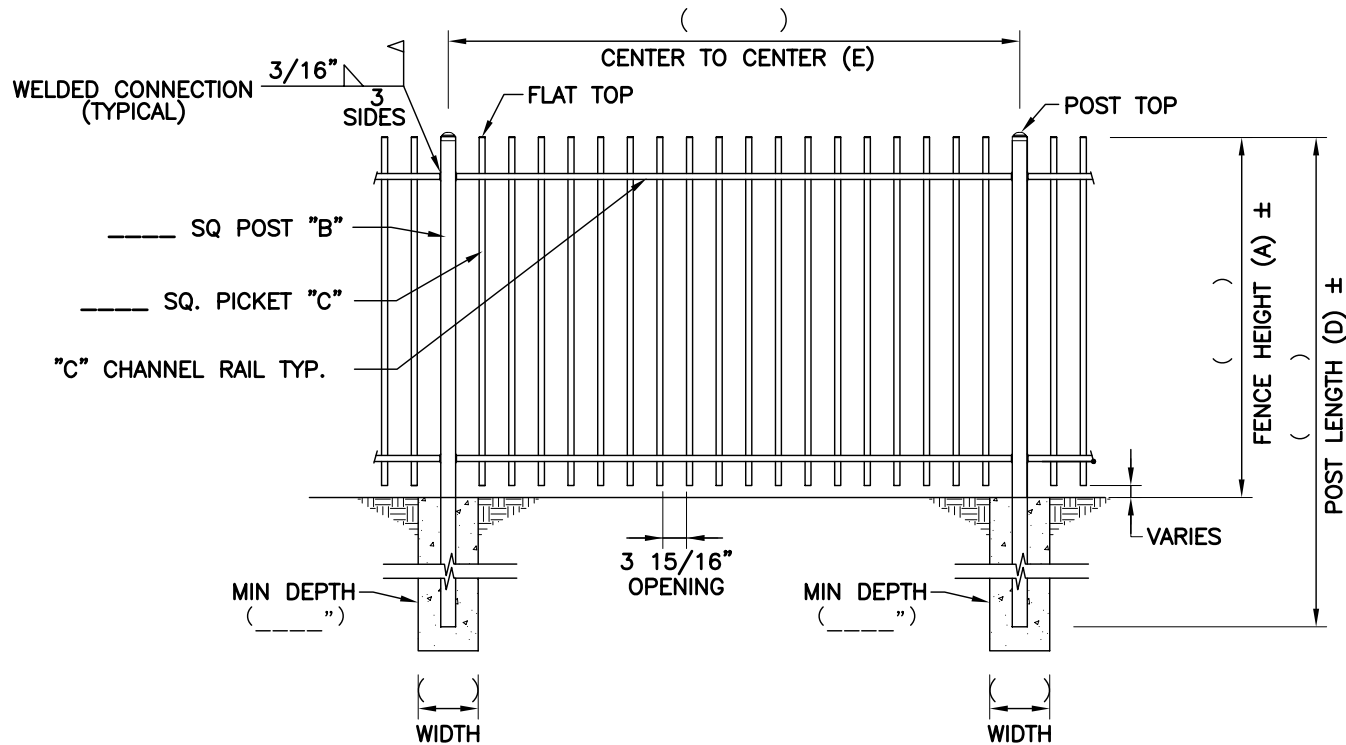


Washingtonian

2 RAIL SOLID IRON SERIES, STYLE LF-W02



FENCE SECTION ELEVATION

SCALE : NONE

NOTES:

1. DRAWINGS ARE NOT TO SCALE.
2. FOOTING WIDTH TO BE FOUR(4) TIMES THE POST WIDTH.
3. PICKETS SHALL BE SECURED TO RAILS BY WELDING.
4. MAXIMUM RAKE APPROXIMATELY SIX(6) INCHES.

C-CHANNEL OPT. (F)

- 1" x 1/2" x 1/8"
- 1 1/2" x 1/2" x 1/8"
- 2" x 1" x 1/8"
- 2" x 1" x 3/16"

PICKET OPTION (C)

- 1/2" SQ. STEEL BAR
- 5/8" SQ. STEEL BAR
- 3/4" SQ. STEEL BAR
- 1" SQ. STEEL BAR

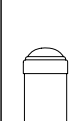
PICKET TOP OPTIONS

FLAT BALL SPEAR



POST TOP OPTIONS

BALL FLAT



- A _____" NOM HEIGHT
- B _____" POST SIZE _____GAUGE
- C _____" PICKET SIZE _____GAUGE
- D _____" POST LENGTH
- E _____" CENTER TO CENTER
- F _____" C-CHANNEL OPTION

NOMINAL HEIGHT (A)

- 3'-0"
- 3'-6"
- 4'-0"
- 5'-0"
- 6'-0"
- 7'-0"
- 8'-0"

POST OPTION (B)

- 1" SQ X SOLID BAR
- 2" SQ X 14 GA
- 2 1/2" SQ X 14 GA
- 3" SQ X 12 GA
- 4" SQ X 11 GA
- 6" SQ X 3/16" WALL
- 8" SQ X 1/4" WALL

CAD #:	DRAWN BY: MAP
CHKD. BY:	DATE:
SCALE:	NONE
SHEET NO.:	

PROJECT NO.:	PROJECT MANAGER:
--------------	------------------

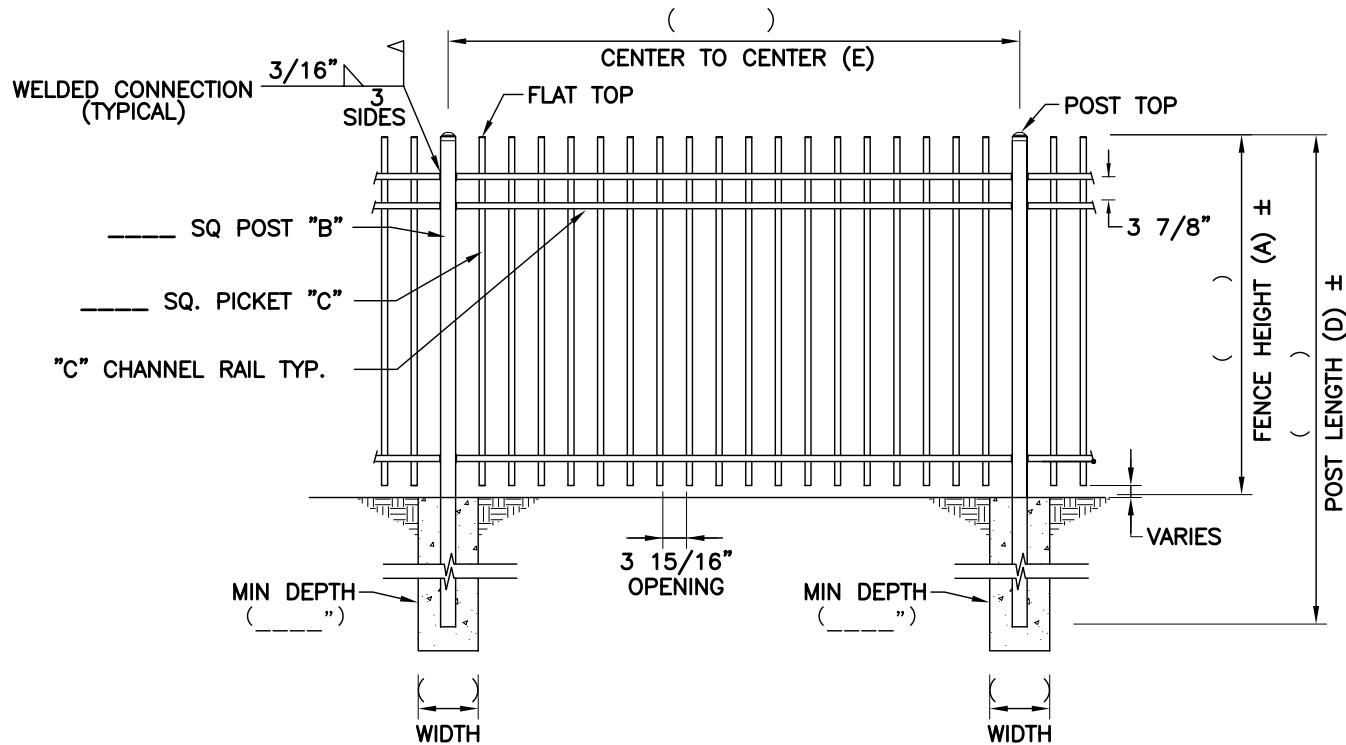
LONG FENCE
 www.longfence.com
 8545 EDGEWORTH DRIVE
 CAPITOL HEIGHTS, MD. 20743
 (301) 350-2400
 6837

PROJECT:	DRAWING TITLE:
	FENCE DETAIL

SITE:

Washingtonian

3 RAIL SOLID IRON SERIES, STYLE LF-W03



FENCE SECTION ELEVATION
SCALE : NONE

NOTES:

1. DRAWINGS ARE NOT TO SCALE.
2. FOOTING WIDTH TO BE FOUR(4) TIMES THE POST WIDTH.
3. PICKETS SHALL BE SECURED TO RAILS BY WELDING.
4. MAXIMUM RAKE APPROXIMATELY SIX(6) INCHES.

C-CHANNEL OPT. (F)
 1"x 1/2"x 1/8"
 1 1/2"x 1/2"x 1/8"
 2"x 1"x 1/8"
 2"x 1"x 3/16"

PICKET OPTION (C)
 1/2" SQ. STEEL BAR
 5/8" SQ. STEEL BAR
 3/4" SQ. STEEL BAR
 1" SQ. STEEL BAR

PICKET TOP OPTIONS			POST TOP OPTIONS	
FLAT	BALL	SPEAR	BALL	FLAT

A _____" NOM HEIGHT	NOMINAL HEIGHT (A)
B _____" POST SIZE _____GAUGE	3'-0"
C _____" PICKET SIZE _____GAUGE	3'-6"
D _____" POST LENGTH	4'-0"
E _____" CENTER TO CENTER	5'-0"
F _____" C-CHANNEL OPTION	6'-0"
	7'-0"
	8'-0"

POST OPTION (B)
 1" SQ X SOLID BAR
 2" SQ X 14 GA
 2 1/2" SQ X 14 GA
 3" SQ X 12 GA
 4" SQ X 11 GA
 6" SQ X 3/16" WALL
 8" SQ X 1/4" WALL

CAD #:	MAP
DRAWN BY:	
CKD. BY:	
DATE:	
SCALE:	NONE
SHEET NO.:	

PROJECT NO.:	PROJECT MANAGER:
--------------	------------------

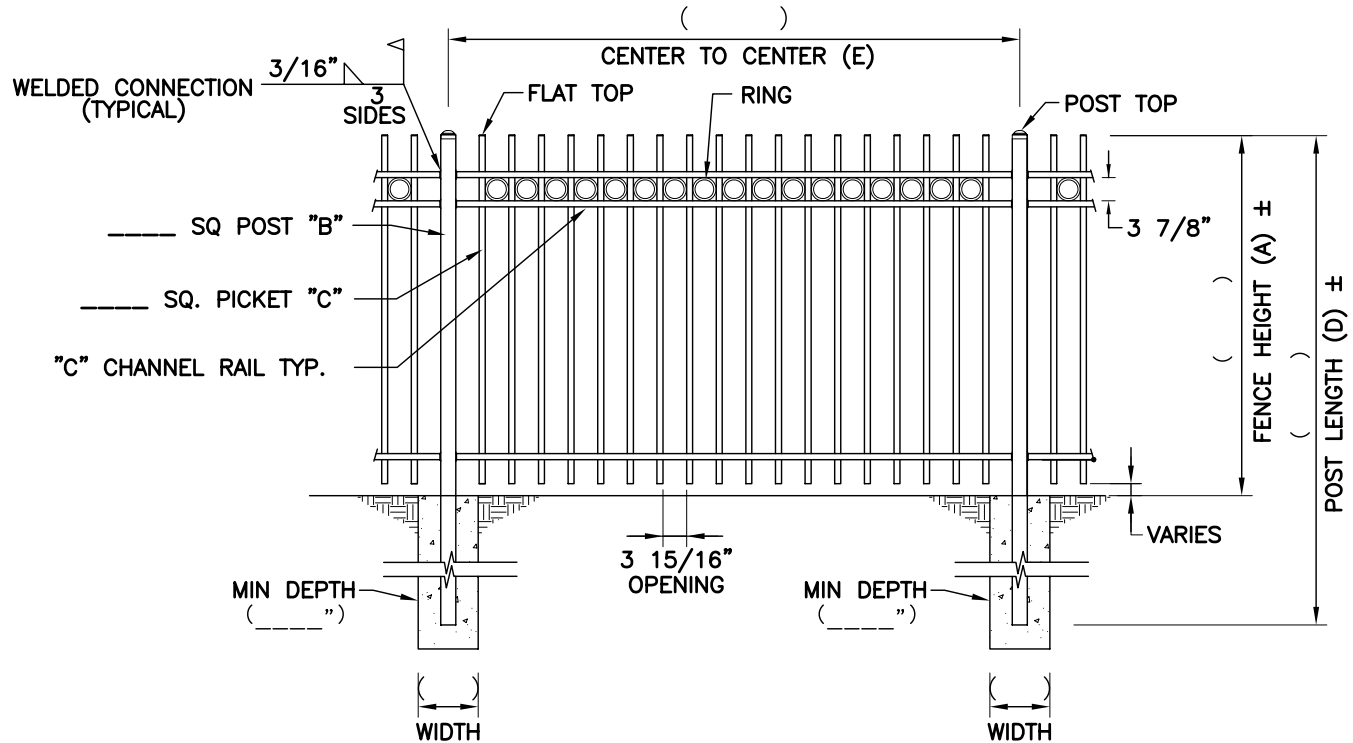
LONG FENCE
 www.longfence.com
 8545 EDGEWORTH DRIVE
 CAPITOL HEIGHTS, MD. 20743
 (301) 350-2400
 8687

PROJECT:	DRAWING TITLE:
	FENCE DETAIL

SITE:

Washingtonian

3 RAIL W/ RINGS SOLID IRON SERIES, STYLE LF-W03-R



FENCE SECTION ELEVATION
SCALE : NONE

NOTES:

1. DRAWINGS ARE NOT TO SCALE.
2. FOOTING WIDTH TO BE FOUR(4) TIMES THE POST WIDTH.
3. PICKETS SHALL BE SECURED TO RAILS BY WELDING.
4. MAXIMUM RAKE APPROXIMATELY SIX(6) INCHES.

C-CHANNEL OPT. (F)

1"x 1/2"x 1/8"
1 1/2"x 1/2"x 1/8"
2"x 1"x 1/8"
2"x 1"x 3/16"

PICKET OPTION (C)

1/2" SQ. STEEL BAR
5/8" SQ. STEEL BAR
3/4" SQ. STEEL BAR
1" SQ. STEEL BAR

PICKET TOP OPTIONS			POST TOP OPTIONS	
FLAT	BALL	SPEAR	BALL	FLAT

A _____" NOM HEIGHT	NOMINAL HEIGHT (A)
B _____" POST SIZE _____GAUGE	3'-0"
C _____" PICKET SIZE _____GAUGE	3'-6"
D _____" POST LENGTH	4'-0"
E _____" CENTER TO CENTER	5'-0"
F _____" C-CHANNEL OPTION	6'-0"
	7'-0"
	8'-0"

POST OPTION (B)

1" SQ X SOLID BAR
2" SQ X 14 GA
2 1/2" SQ X 14 GA
3" SQ X 12 GA
4" SQ X 11 GA
6" SQ X 3/16" WALL
8" SQ X 1/4" WALL

CAD #:	MAP
DRAWN BY:	
CHKD. BY:	
DATE:	
SCALE:	NONE
SHEET NO.:	

PROJECT NO.:	
PROJECT MANAGER:	

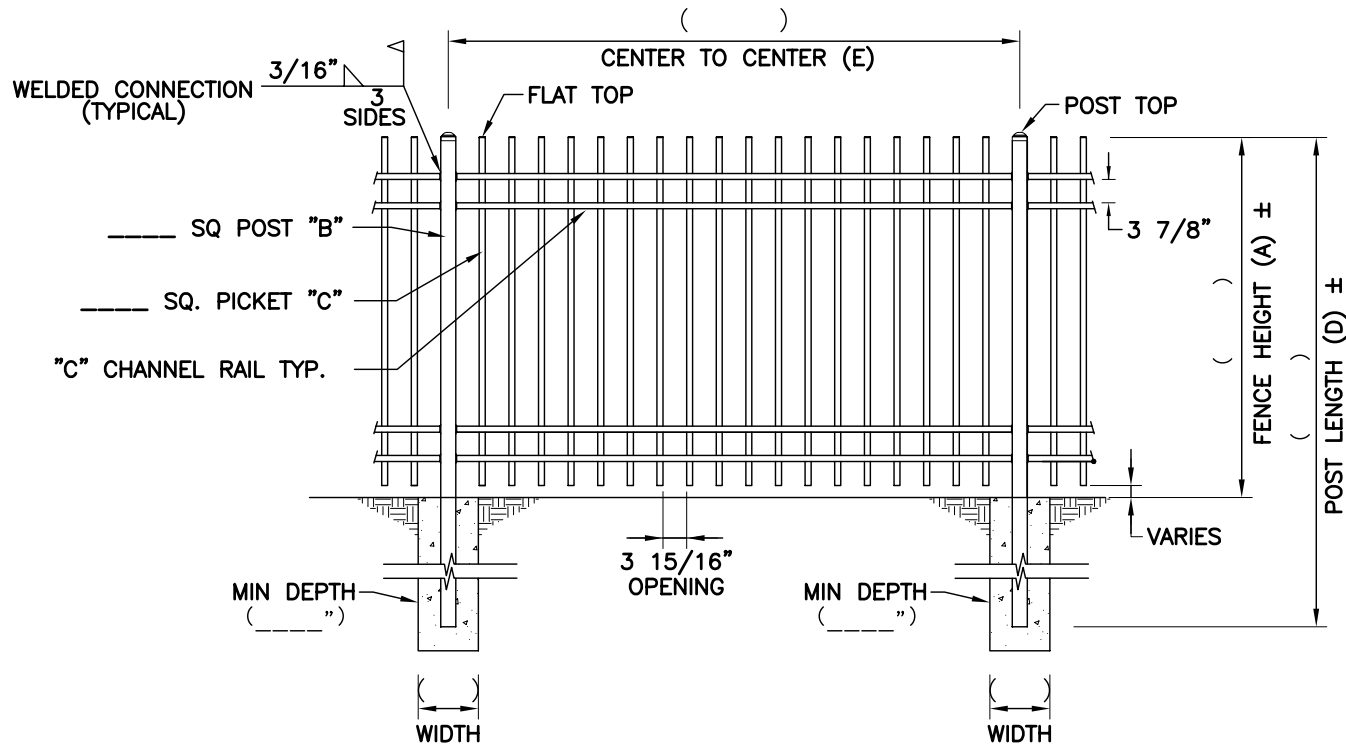
LONG FENCE
www.longfence.com
8545 EDGEWORTH DRIVE
CAPITOL HEIGHTS, MD. 20743
(301) 350-2400
6837

PROJECT:	
DRAWING TITLE:	FENCE DETAIL

SITE:	
-------	--

Washingtonian

4 RAIL SOLID IRON SERIES, STYLE LF-W04



FENCE SECTION ELEVATION

SCALE : NONE

NOTES:

1. DRAWINGS ARE NOT TO SCALE.
2. FOOTING WIDTH TO BE FOUR(4) TIMES THE POST WIDTH.
3. PICKETS SHALL BE SECURED TO RAILS BY WELDING.
4. MAXIMUM RAKE APPROXIMATELY SIX(6) INCHES.

C-CHANNEL OPT. (F)
 1" x 1/2" x 1/8"
 1 1/2" x 1/2" x 1/8"
 2" x 1" x 1/8"
 2" x 1" x 3/16"

PICKET OPTION (C)
 1/2" SQ. STEEL BAR
 5/8" SQ. STEEL BAR
 3/4" SQ. STEEL BAR
 1" SQ. STEEL BAR

PICKET TOP OPTIONS			POST TOP OPTIONS	
FLAT	BALL	SPEAR	BALL	FLAT

A _____" NOM HEIGHT
 B _____" POST SIZE _____GAUGE
 C _____" PICKET SIZE _____GAUGE
 D _____" POST LENGTH
 E _____" CENTER TO CENTER
 F _____" C-CHANNEL OPTION

NOMINAL HEIGHT (A)
 3'-0"
 3'-6"
 4'-0"
 5'-0"
 6'-0"
 7'-0"
 8'-0"

POST OPTION (B)
 1" SQ X SOLID BAR
 2" SQ X 14 GA
 2 1/2" SQ X 14 GA
 3" SQ X 12 GA
 4" SQ X 11 GA
 6" SQ X 3/16" WALL
 8" SQ X 1/4" WALL

CAD #:	MAP
DRAWN BY:	
CHKD. BY:	
DATE:	
SCALE:	NONE
SHEET NO.:	

PROJECT NO.:	
PROJECT MANAGER:	

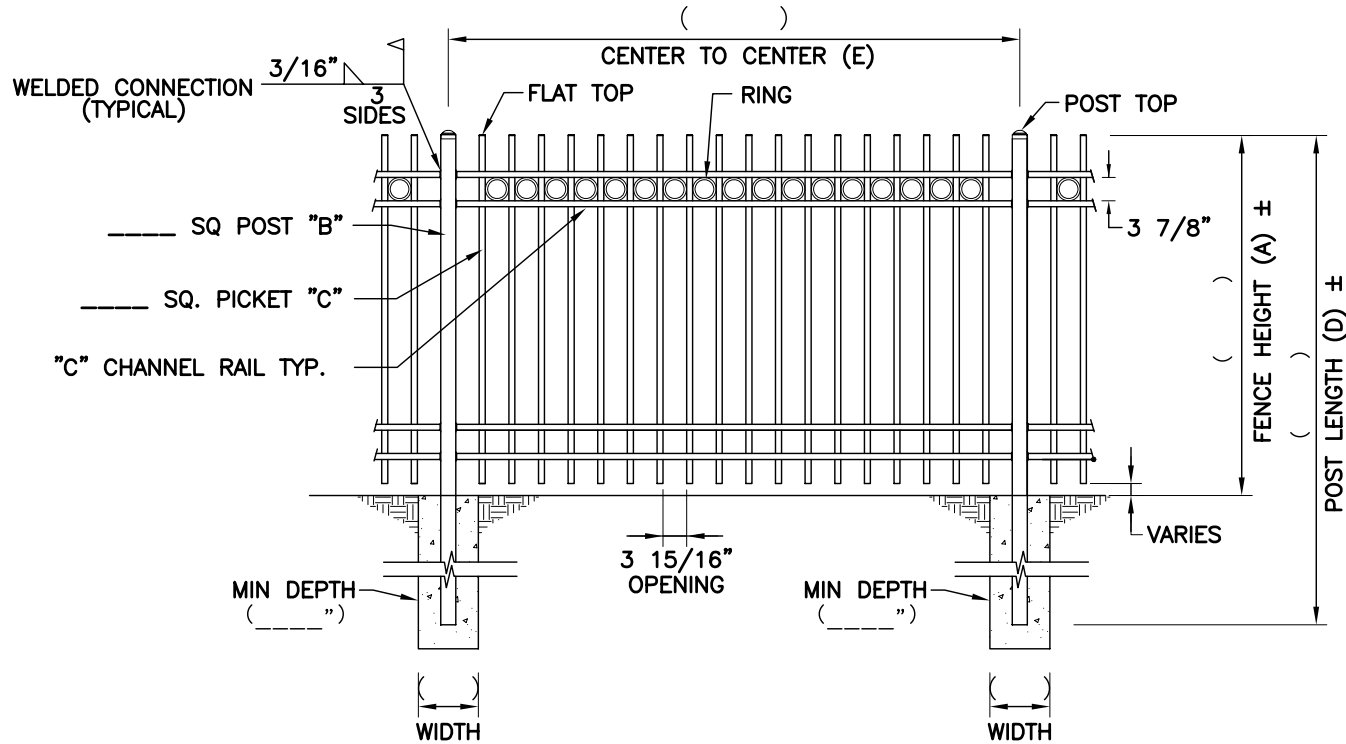
LONG FENCE
 www.longfence.com
 8545 EDGEWORTH DRIVE
 CAPITOL HEIGHTS, MD. 20743
 (301) 350-2400
 6837

PROJECT	
DRAWING TITLE	FENCE DETAIL

SITE:	
-------	--

Washingtonian

4 RAIL W/ RINGS SOLID IRON SERIES, STYLE LF-W04-R1



FENCE SECTION ELEVATION

SCALE : NONE

NOTES:

1. DRAWINGS ARE NOT TO SCALE.
2. FOOTING WIDTH TO BE FOUR(4) TIMES THE POST WIDTH.
3. PICKETS SHALL BE SECURED TO RAILS BY WELDING.
4. MAXIMUM RAKE APPROXIMATELY SIX(6) INCHES.

C-CHANNEL OPT. (F)
 1"x 1/2"x 1/8"
 1 1/2"x 1/2"x 1/8"
 2"x 1"x 1/8"
 2"x 1"x 3/16"

PICKET OPTION (C)
 1/2" SQ. STEEL BAR
 5/8" SQ. STEEL BAR
 3/4" SQ. STEEL BAR
 1" SQ. STEEL BAR

PICKET TOP OPTIONS			POST TOP OPTIONS	
FLAT	BALL	SPEAR	BALL	FLAT

A _____" NOM HEIGHT
 B _____" POST SIZE _____GAUGE
 C _____" PICKET SIZE _____GAUGE
 D _____" POST LENGTH
 E _____" CENTER TO CENTER
 F _____" C-CHANNEL OPTION

NOMINAL HEIGHT (A)
 3'-0"
 3'-6"
 4'-0"
 5'-0"
 6'-0"
 7'-0"
 8'-0"

POST OPTION (B)
 1" SQ X SOLID BAR
 2" SQ X 14 GA
 2 1/2" SQ X 14 GA
 3" SQ X 12 GA
 4" SQ X 11 GA
 6" SQ X 3/16" WALL
 8" SQ X 1/4" WALL

CAD #:	MAP
DRAWN BY:	
CHKD. BY:	
DATE:	
SCALE:	NONE
SHEET NO.:	

PROJECT NO.:	
PROJECT MANAGER:	

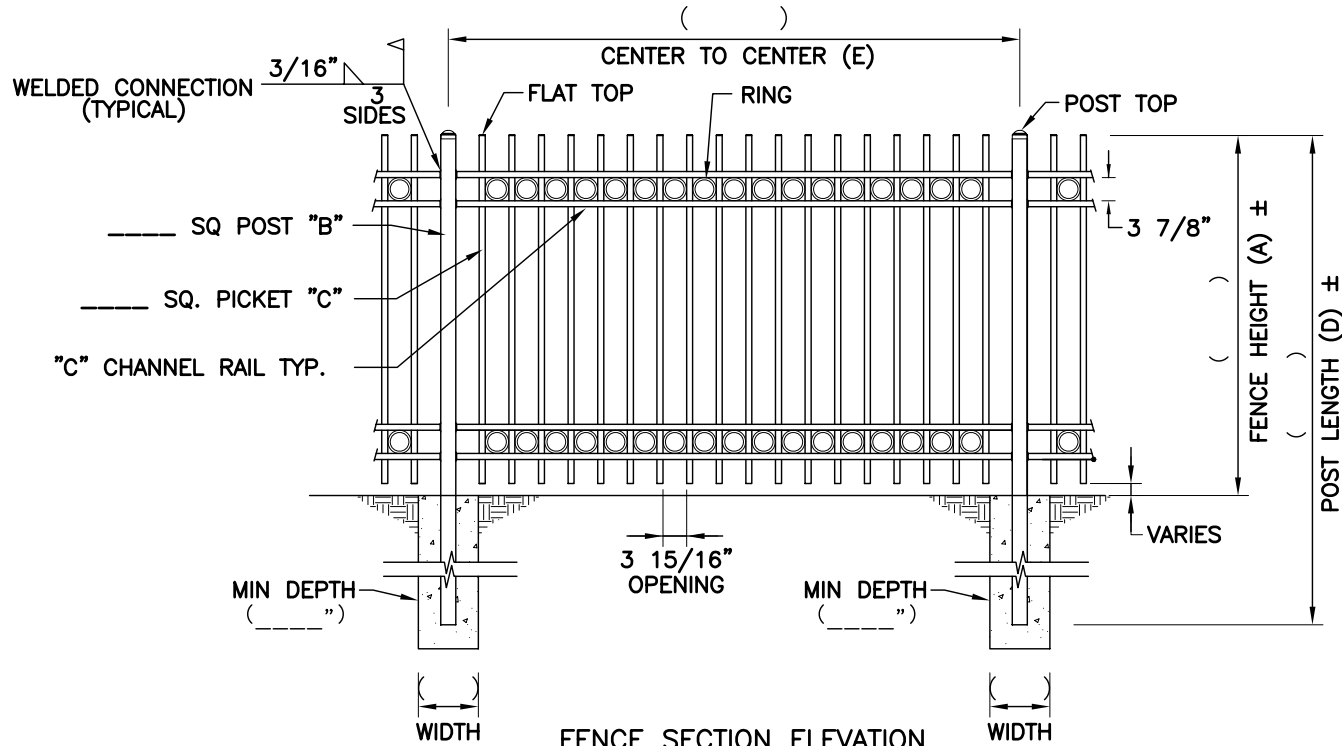
LONG FENCE
 www.longfence.com
 8545 EDGEWORTH DRIVE
 CAPITOL HEIGHTS, MD. 20743
 (301) 350-2400
 6837

PROJECT:	
DRAWING TITLE:	FENCE DETAIL

SITE:	
-------	--

Washingtonian

4 RAIL W/ RINGS SOLID IRON SERIES, STYLE LF-W04-R2



FENCE SECTION ELEVATION
SCALE : NONE

NOTES:

1. DRAWINGS ARE NOT TO SCALE.
2. FOOTING WIDTH TO BE FOUR(4) TIMES THE POST WIDTH.
3. PICKETS SHALL BE SECURED TO RAILS BY WELDING.
4. MAXIMUM RAKE APPROXIMATELY SIX(6) INCHES.

C-CHANNEL OPT. (F)
 1"x 1/2"x 1/8"
 1 1/2"x 1/2"x 1/8"
 2"x 1"x 1/8"
 2"x 1"x 3/16"

PICKET OPTION (C)
 1/2" SQ. STEEL BAR
 5/8" SQ. STEEL BAR
 3/4" SQ. STEEL BAR
 1" SQ. STEEL BAR

PICKET TOP OPTIONS			POST TOP OPTIONS	
FLAT	BALL	SPEAR	BALL	FLAT

A _____" NOM HEIGHT
 B _____" POST SIZE _____GAUGE
 C _____" PICKET SIZE _____GAUGE
 D _____" POST LENGTH
 E _____" CENTER TO CENTER
 F _____" C-CHANNEL OPTION

NOMINAL HEIGHT (A)
 3'-0"
 3'-6"
 4'-0"
 5'-0"
 6'-0"
 7'-0"
 8'-0"

POST OPTION (B)
 1" SQ X SOLID BAR
 2" SQ X 14 GA
 2 1/2" SQ X 14 GA
 3" SQ X 12 GA
 4" SQ X 11 GA
 6" SQ X 3/16" WALL
 8" SQ X 1/4" WALL

CAD #:	MAP
DRAWN BY:	
CHKD. BY:	
DATE:	
SCALE:	NONE
SHEET NO.:	

PROJECT NO.:	
PROJECT MANAGER:	

LONG FENCE
 www.longfence.com
 8545 EDGEWORTH DRIVE
 CAPITOL HEIGHTS, MD. 20743
 (301) 350-2400
 8687

PROJECT	
DRAWING TITLE	FENCE DETAIL

SITE:	
-------	--