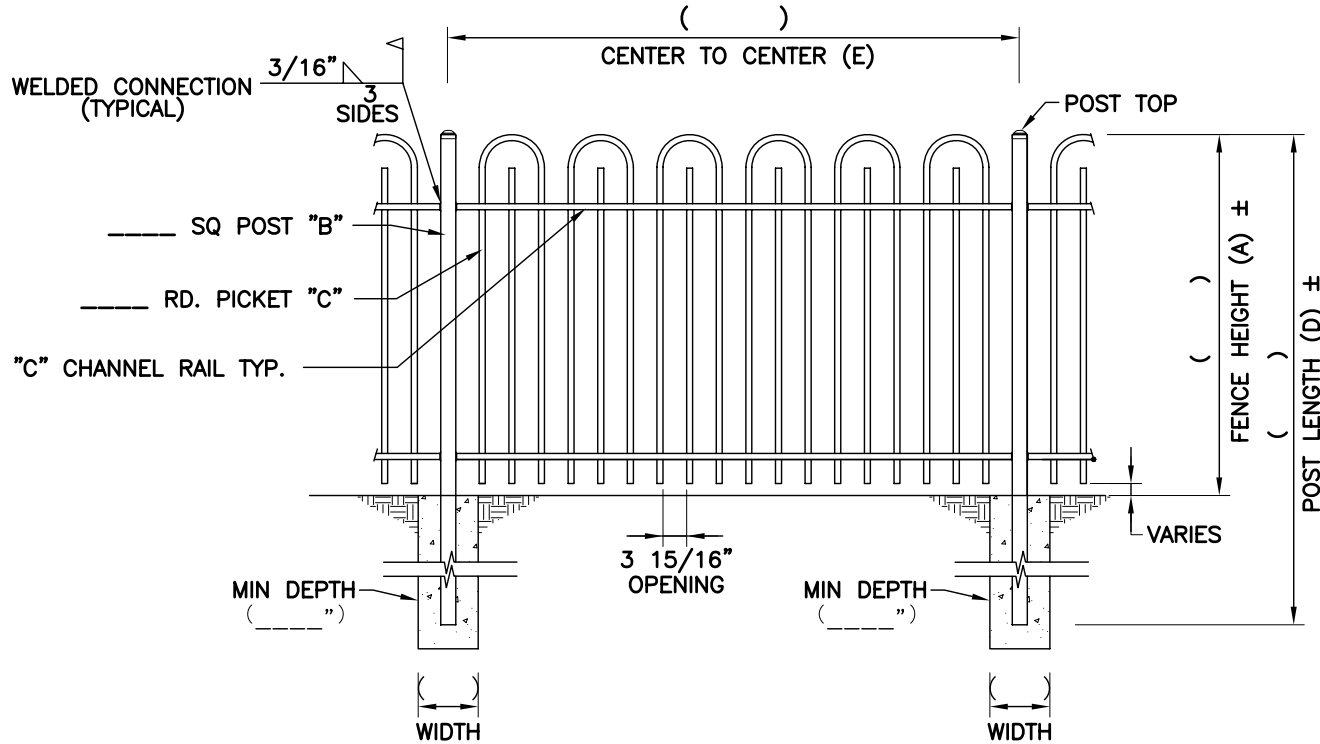


# Georgetown

2 RAIL SOLID IRON SERIES, STYLE LF-G02



**FENCE SECTION ELEVATION**  
SCALE : NONE

**NOTES:**

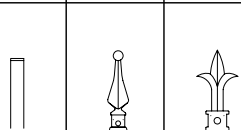
1. DRAWINGS ARE NOT TO SCALE.
2. FOOTING WIDTH TO BE FOUR(4) TIMES THE POST WIDTH.
3. PICKETS SHALL BE SECURED TO RAILS BY WELDING.
4. MAXIMUM RAKE APPROXIMATELY SIX(6) INCHES.

**C-CHANNEL OPTION**

- 1" x 1/2" x 1/8"
- 1 1/2" x 1/2" x 1/8"
- 2" x 1" x 1/8"
- 2" x 1" x 3/16"

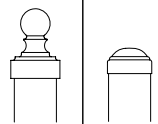
**PICKET TOP OPTIONS**

FLAT CAP    BALL    SPEAR



**POST TOP OPTIONS**

BALL    FLAT



**PICKET OPTION (C)**  
1/2" ROUND STEEL BAR

A \_\_\_\_" NOM HEIGHT  
 B \_\_\_\_" POST SIZE \_\_\_\_ GAUGE  
 C \_\_\_\_" PICKET SIZE \_\_\_\_ GAUGE  
 D \_\_\_\_" POST LENGTH  
 E \_\_\_\_" CENTER TO CENTER

**POST OPTION (B)**  
 1" SQ X SOLID BAR  
 2" SQ X 14 GA  
 2 1/2" SQ X 14 GA  
 3" SQ X 12 GA

**NOMINAL HEIGHT (A)**

- 3'-0"
- 3'-6"
- 4'-0"
- 5'-0"
- 6'-0"
- 7'-0"
- 8'-0"

CAD #:	MAP
DRAWN BY:	
CKD. BY:	
DATE:	
SCALE:	NONE
SHEET NO.:	

PROJECT NO.:	
PROJECT MANAGER:	

**LONG FENCE**  
 www.longfence.com  
 8545 EDGEWORTH DRIVE  
 CAPITOL HEIGHTS, MD. 20743  
 (301) 350-2400  
 8687

PROJECT:	
DRAWING TITLE:	<b>FENCE DETAIL</b>

SITE:	
-------	--