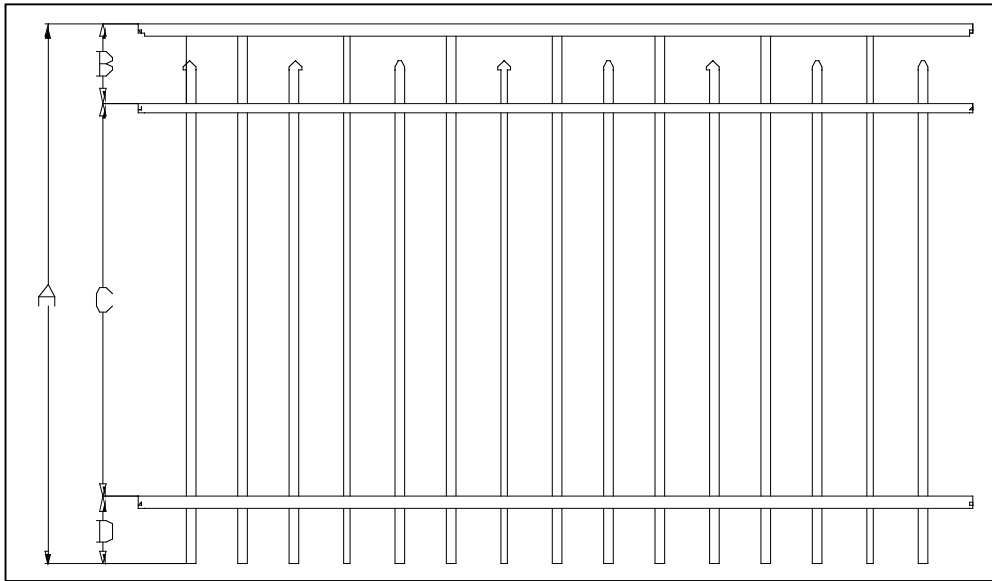


LONG FENCE

Panel Specification on Antietam/Heritage Series



Product Code	A	B	C	D	E
FN4-4300	48"	7"	35"	6"	-
FN4-5300	60"	7"	46"	7"	-

- Note:
1. Residential 3/4" Fence only.
 2. The width is 72" (post center to center) with 2.0" post
 3. Picket: 3/4" square with thickness 0.05"
 4. Picket space: 3-11/16"
 5. Rail: 1" X 1 1/16" with wall thickness top 0.078", side 0.078"

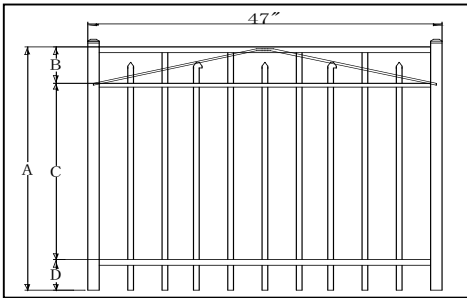
Post Specification on Antietam/Heritage Series

	Product Code	Description	2.0" Post W Thickness
4FT	FN4-4307	70" Gate Post	.125"
	FN4-4308	70" Line Post	.060"
	FN4-4309	70" End Post	.060"
	FN4-4310	70" Corner Po	.060"
5FT	FN4-5307	82" Gate Post	.125"
	FN4-5308	82" Line Post	.060"
	FN4-5309	82" End Post	.060"
	FN4-5310	82" Corner Po	.060"

LONG FENCE

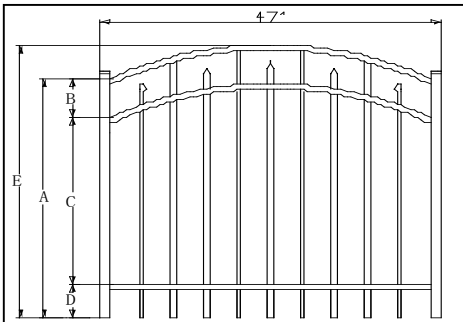
4' Wide Gate Specification Antietam/Heritage Series

A. Standard gate



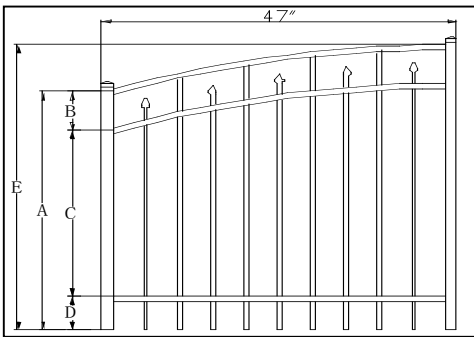
Product Code	A	B	C	D	E
FN4-4304	48"	7"	35"	6"	-
FN4-5304	60"	7"	46"	7"	-

B. Arch gate



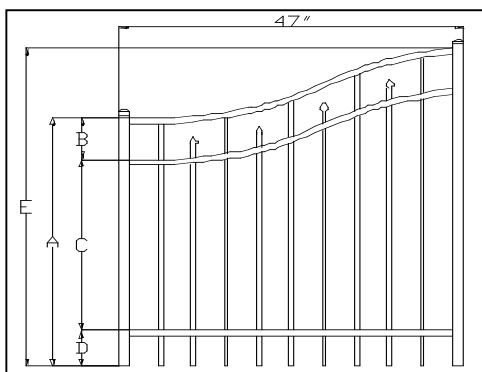
Product Code	A	B	C	D	E	F
FN4-4304AR	48"	7"	35"	6"	-	54"
FN4-5304AR	60"	7"	46"	7"	-	66"

C. Double drive gate



Product Code	A	B	C	D	E	F
FN4-4304DD	48"	7"	35"	6"	-	56"
FN4-5304DD	60"	7"	46"	7"	-	68"

D. Eye brow gate



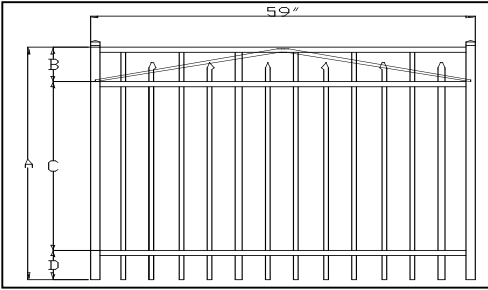
Product Code	A	B	C	D	E	F
FN4-4304EB	48"	7"	35"	6"	-	60"
FN4-5304EB	60"	7"	46"	7"	-	72"

- Note:
1. Gate frame: 1.626" square with wall thickness 0.122"
 2. Picket: 3/4" square with thickness 0.05"
 3. Picket space: 3-11/16"
 4. Rail: 1" with wall thickness top 0.071", side 0.071"

LONG FENCE

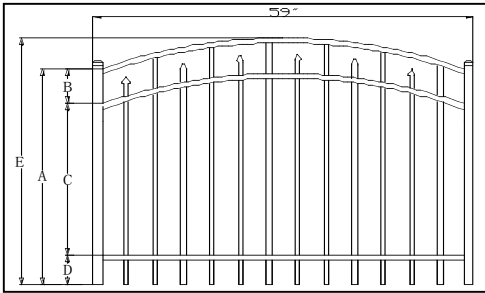
5' Wide Gate Specification Antietam/Heritage Series

A. Standard gate



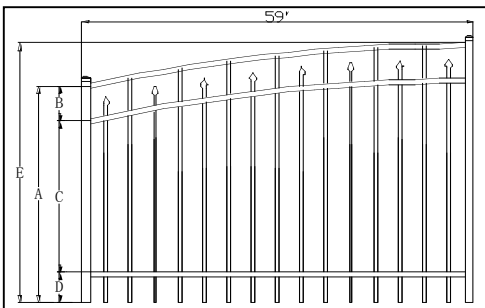
Product Code	A	B	C	D	E
FN4-4305	48"	7"	35"	6"	-
FN4-5305	60"	7"	46"	7"	-

B. Arch gate



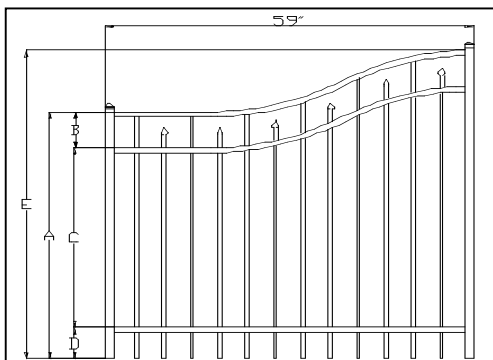
Product Code	A	B	C	D	E	F
FN4-4305AR	48"	7"	35"	6"	-	54"
FN4-5305AR	60"	7"	46"	7"	-	66"

C. Double drive gate



Product Code	A	B	C	D	E	F
FN4-4305DD	48"	7"	35"	6"	-	56"
FN4-5305DD	60"	7"	46"	7"	-	68"

D. Eye brow gate



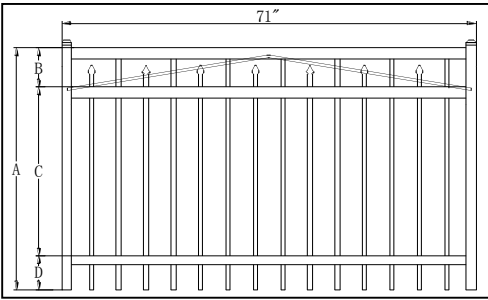
Product Code	A	B	C	D	E	F
FN4-4305EB	48"	7"	35"	6"	-	60"
FN4-5305EB	60"	7"	46"	7"	-	72"

- Note:
1. Gate frame: 1.626" square with wall thickness 0.122"
 2. Picket: 3/4" square with thickness 0.05"
 3. Picket space: 3-11/16"
 4. Rail: 1" with wall thickness top 0.071", side 0.071"

LONG FENCE

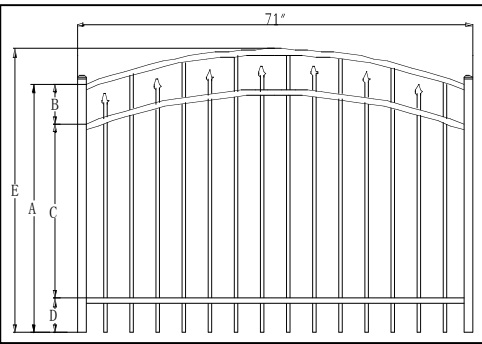
6' Wide Gate Specification Antietam/Heritage Series

A. Standard gate



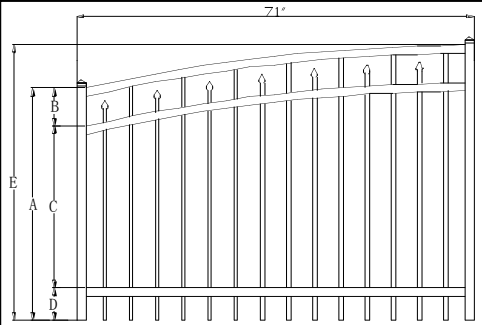
Product Code	A	B	C	D	E
FN4-4306	48"	7"	35"	6"	X
FN4-5306	60"	7"	46"	7"	X

B. Arch gate



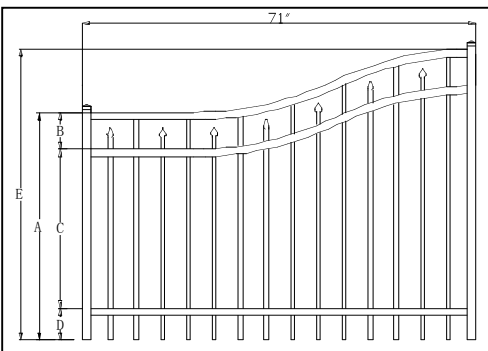
Product Code	A	B	C	D	E	F
FN4-4306AR	48"	7"	35"	6"	X	54"
FN4-5306AR	60"	7"	46"	7"	X	66"

C. Double drive gate



Product Code	A	B	C	D	E	F
FN4-4306DD	48"	7"	35"	6"	X	56"
FN4-5306DD	60"	7"	46"	7"	X	68"

D. Eye brow gate



Product Code	A	B	C	D	E	F
FN4-4306EB	48"	7"	35"	6"	X	60"
FN4-5306EB	60"	7"	46"	7"	X	72"

- Note:
1. Gate frame: 1.626" square with wall thickness 0.122"
 2. Picket: 3/4" square with thickness 0.05"
 3. Picket space: 3-11/16"
 4. Rail: 1" with wall thickness top 0.071", side 0.071"