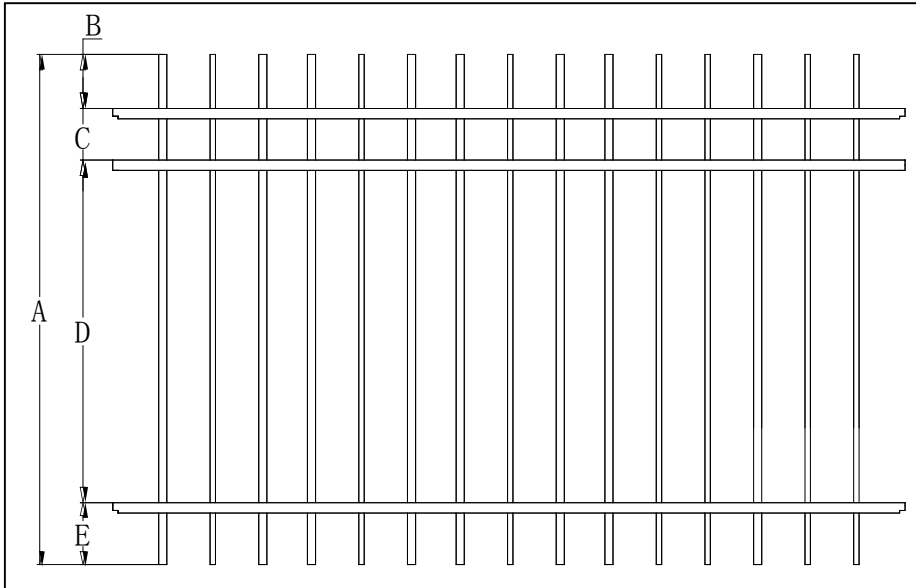


LONG FENCE

Panel Specification on Charleston/Heritage Series



Product Code	A	B	C	D	E	F
FN6-4300	48"	5"	7"	30"	6"	-
FN6-5300	60"	6"	7"	40"	7"	-
FN6-6300	72"	6"	8"	51"	7"	-

- Note:
1. Residential 3/4" Fence only.
 2. The width is 72" (post center to center) with 2.0" post
 3. Picket: 3/4" square with thickness 0.05"
 4. Picket space: 3-11/16"
 5. Rail: 1" X 1 1/16" with wall thickness top 0.078", side 0.078"

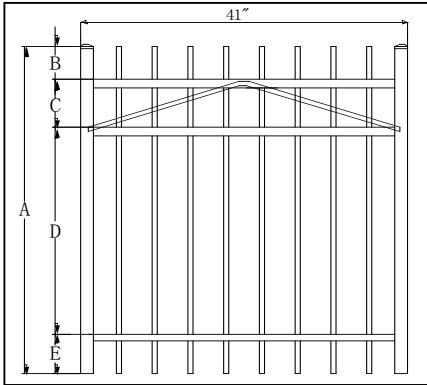
Post Specification on Charleston/Heritage Series

	Product Code	Description	2.0" Post W Thickness
4FT	FN6-4307	70" Gate Post	.125"
	FN6-4308	70" Line Post	.060"
	FN6-4309	70" End Post	.060"
	FN6-4310	70" Corner Post	.060"
5FT	FN6-5307	82" Gate Post	.125"
	FN6-5308	82" Line Post	.060"
	FN6-5309	82" End Post	.060"
	FN6-5310	82" Corner Post	.060"
6FT	FN6-6307	102" Gate Post	.125"
	FN6-6308	102" Line Post	.060"
	FN6-6309	102" End Post	.060"
	FN6-6310	102" Corner Post	.060"

LONG FENCE

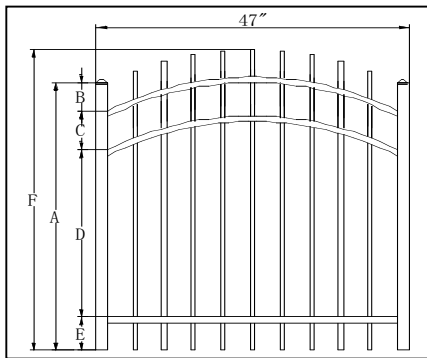
4' Wide Gate Specification Charleston/Heritage Series

A. Standard gate



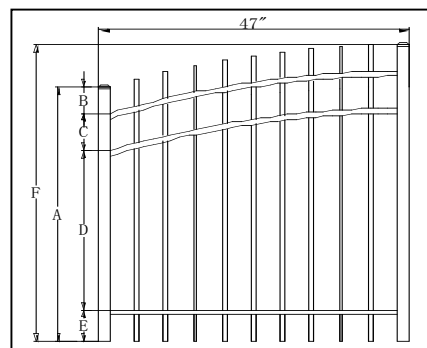
Product Code	A	B	C	D	E	F
FN6-4304	49"	6"	7"	30"	6"	-
FN6-5304	61"	7"	7"	40"	7"	-
FN6-6304	73"	7"	8"	51"	7"	-

B. Arch gate



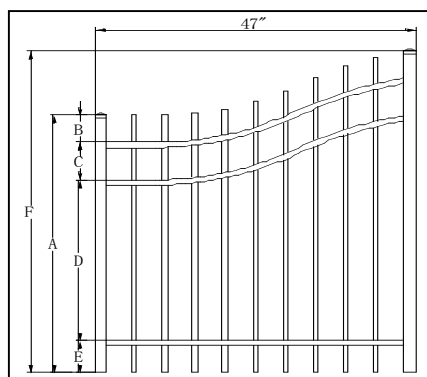
Product Code	A	B	C	D	E	F	G
FN6-4304AR	49"	6"	7"	30"	6"	-	55"
FN6-5304AR	61"	7"	7"	40"	7"	-	67"
FN6-6304AR	73"	7"	8"	51"	7"	-	79"

C. Double drive gate



Product Code	A	B	C	D	E	F	G
FN6-4304DD	49"	6"	7"	30"	6"	-	57"
FN6-5304DD	61"	7"	7"	40"	7"	-	69"
FN6-6304DD	73"	7"	8"	51"	7"	-	81"

D. Eye brow gate



Product Code	A	B	C	D	E	F	G
FN6-4304EB	49"	6"	7"	30"	6"	-	61"
FN6-5304EB	61"	7"	7"	40"	7"	-	73"
FN6-6304EB	73"	7"	8"	51"	7"	-	85"

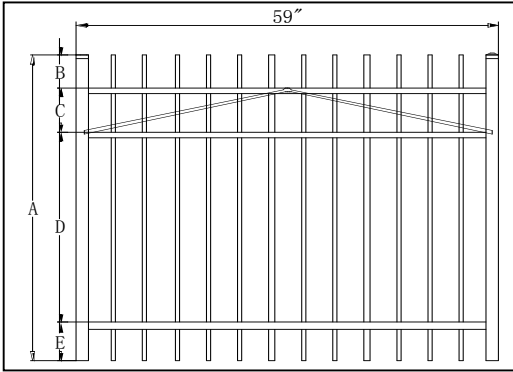
Note:

1. Gate frame: 1.626" square with wall thickness 0.122"
2. Picket: 3/4" square with wall thickness 0.05"
3. Picket space: 3-11/16"
4. Rail: 1" with wall thickness top 0.071", side 0.071"

LONG FENCE

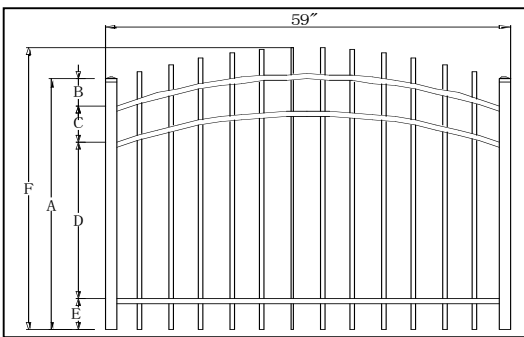
5' Wide Gate Specification Charleston/Heritage Series

A. Standard gate



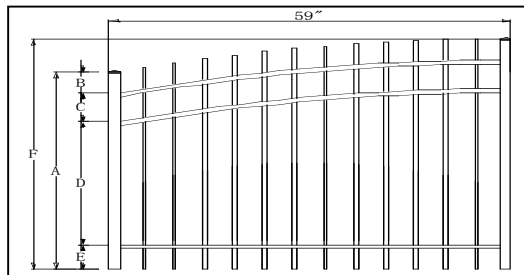
Product Code	A	B	C	D	E	F
FN6-4305	49"	6"	7"	30"	6"	-
FN6-5305	61"	7"	7"	40"	7"	-
FN6-6305	73"	7"	8"	51"	7"	-

B. Arch gate



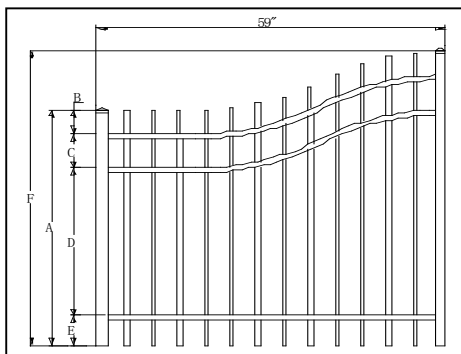
Product Code	A	B	C	D	E	F	G
FN6-4305AR	49"	6"	7"	30"	6"	-	55"
FN6-5305AR	61"	7"	7"	40"	7"	-	67"
FN6-6305AR	73"	7"	8"	51"	7"	-	79"

C. Double drive gate



Product Code	A	B	C	D	E	F	G
FN6-4305DD	49"	6"	7"	30"	6"	-	57"
FN6-5305DD	61"	7"	7"	40"	7"	-	69"
FN6-6305DD	73"	7"	8"	51"	7"	-	81"

D. Eye brow gate



Product Code	A	B	C	D	E	F	G
FN6-4305EB	49"	6"	7"	30"	6"	-	61"
FN6-5305EB	61"	7"	7"	40"	7"	-	73"
FN6-6305EB	73"	7"	8"	51"	7"	-	85"

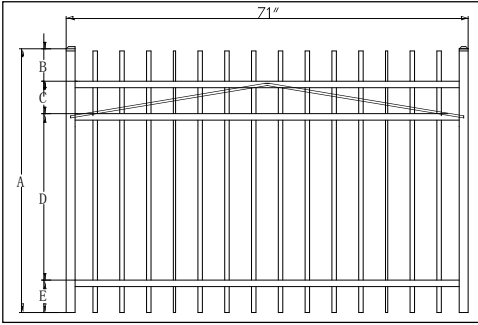
Note:

1. Gate frame: 1.626" square with wall thickness 0.122"
2. Picket: 3/4" square with wall thickness 0.05"
3. Picket space: 3-11/16"
4. Rail: 1" with wall thickness top 0.071", side 0.071"

LONG FENCE

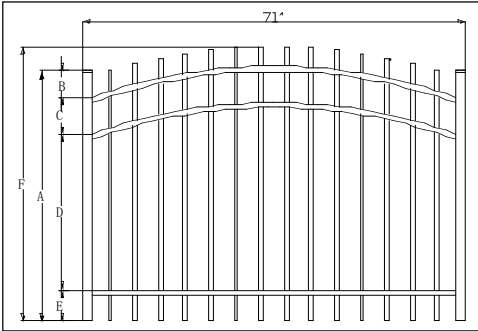
6' Wide Gate Specification Charleston/Heritage Series

A. Standard gate



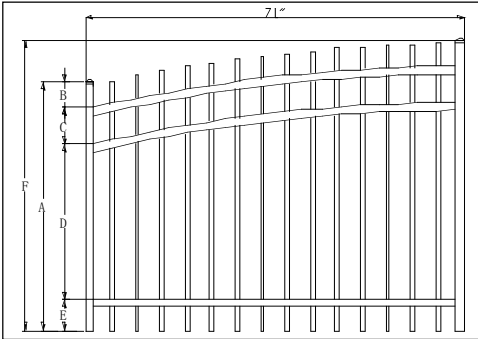
Product Code	A	B	C	D	E	F
FN6-4306	49"	6"	7"	30"	6"	-
FN6-5306	61"	7"	7"	40"	7"	-
FN6-6306	73"	7"	8"	51"	7"	-

B. Arch gate



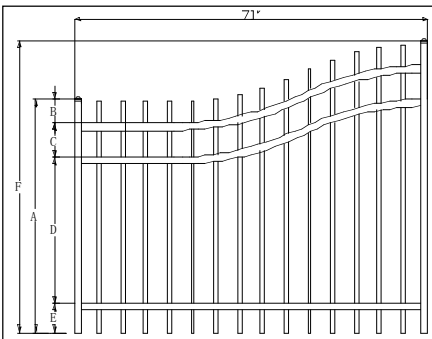
Product Code	A	B	C	D	E	F	G
FN6-4306ACC	49"	6"	7"	30"	6"	-	55"
FN6-5306ACC	61"	7"	7"	40"	7"	-	67"
FN6-6306ACC	73"	7"	8"	51"	7"	-	79"

C. Double drive gate



Product Code	A	B	C	D	E	F	G
FN6-4306DD	49"	6"	7"	30"	6"	-	57"
FN6-5306DD	61"	7"	7"	40"	7"	-	69"
FN6-6306DD	73"	7"	8"	51"	7"	-	81"

D. Eye brow gate



Product Code	A	B	C	D	E	F	G
FN6-4306EB	49"	6"	7"	30"	6"	-	61"
FN6-5306EB	61"	7"	7"	40"	7"	-	73"
FN6-6306EB	73"	7"	8"	51"	7"	-	85"

Note:

1. Gate frame: 1.626" square with wall thickness 0.122"
2. Picket: 3/4" square with wall thickness 0.05"
3. Picket space: 3-11/16"
4. Rail: 1" with wall thickness top 0.071", side 0.071"