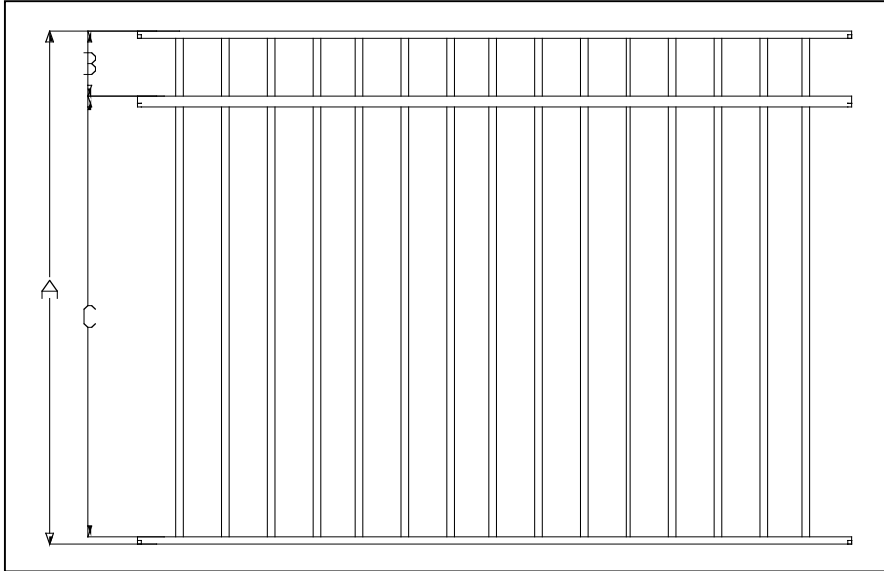


LONG FENCE

Panel Specification on Fredericksburg/Heritage Series



Product Code	A	B
FN3-4500	54"	7"

- Note:
1. Residential 3/4" fence only.
 2. The width is 72" (post center to center) with 2.0" post
 3. Picket: 3/4" square with wall thickness 0.05"
 4. Picket space: 3-11/16"
 5. Rail: 1" X 1 1/16" with wall thickness top 0.078", side 0.078"

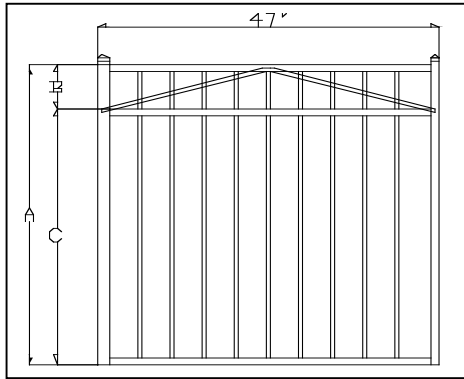
Post Specification on Fredericksburg/Heritage Series

	Product Code	Description	2.0" Post W Thickness
4.5FT	FN3-4507	82" Gate Post	.125"
	FN3-4508	82" Line Post	.060"
	FN3-4509	82" End Post	.060"
	FN3-4510	82" Corner Post	.060"

LONG FENCE

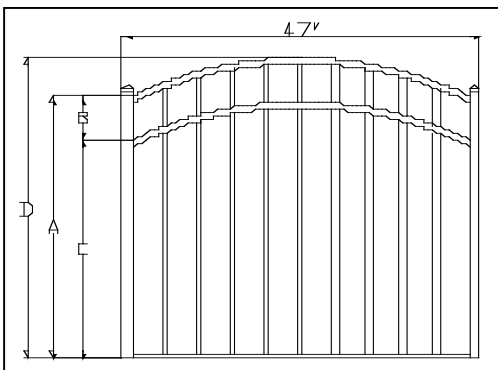
4' Wide Gate Specification Fredericksburg/Heritage Series

A. Standard gate



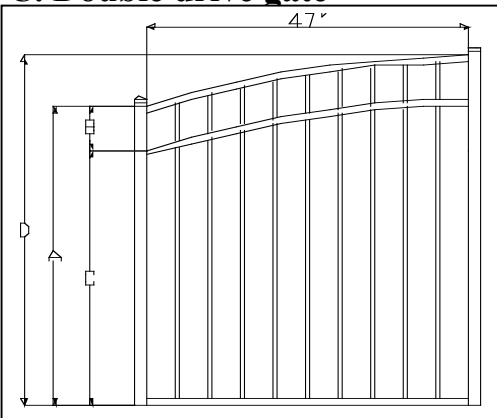
Product Code	A	B	C
FN3-4504	55"	54"	7"

B. Arch gate



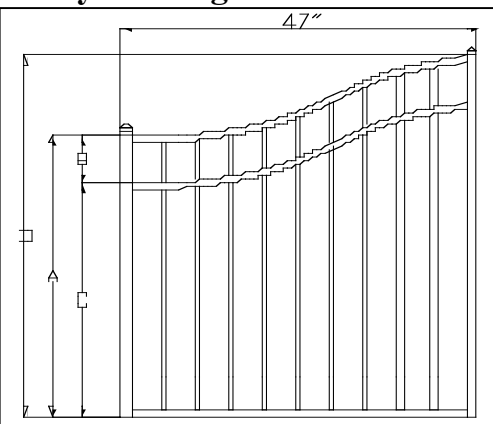
Product Code	A	B	C	D
FN3-4504AR	55"	54"	7"	60"

C. Double drive gate



Product Code	A	B	C	D
FN3-4504DD	55"	54"	7"	62"

D. Eye brow gate



Product Code	A	B	C	D
FN3-4504EB	55"	54"	7"	66"

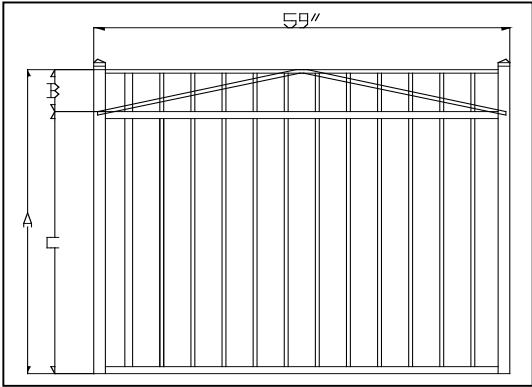
Note:

1. Gate frame: 1.626" square with wall thickness 0.122"
3. Picket: 3/4" square with wall thickness 0.05"
4. Picket space: 3-11/16"
5. Rail: 1" X 1 1/16" with wall thickness top 0.078", side 0.078"

LONG FENCE

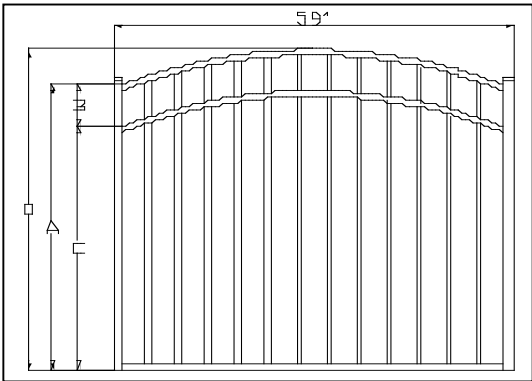
5' Wide Gate Specification Fredericksburg/Heritage Series

A. Standard gate



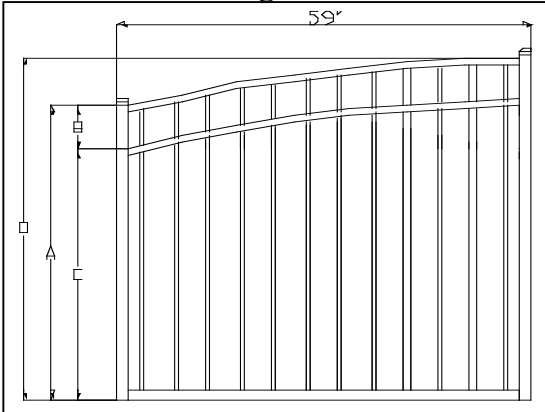
Product Code	A	B	C
FN3-4505	55"	54"	7"

B. Arch gate



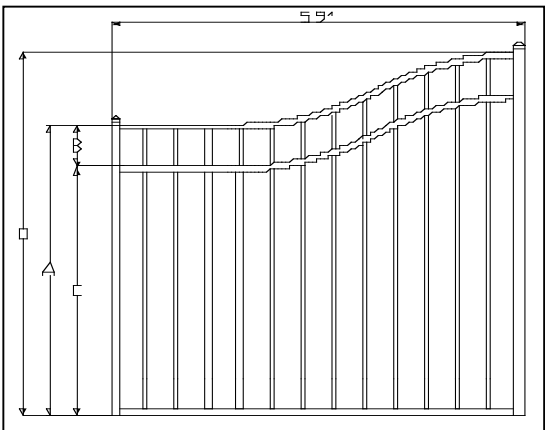
Product Code	A	B	C	D
FN3-4505AR	55"	54"	7"	60"

C. Double drive gate



Product Code	A	B	C	D
FN3-4505DD	55"	54"	7"	62"

D. Eye brow gate



Product Code	A	B	C	D
FN3-4505EB	55"	54"	7"	66"

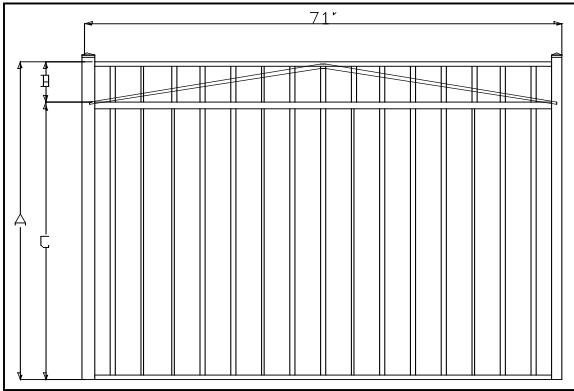
Note:

1. Gate frame: 1.626" square with wall thickness 0.122"
3. Picket: 3/4" square with wall thickness 0.05"
4. Picket space: 3-11/16"
5. Rail: 1" X 1 1/16" with wall thickness top 0.078", side 0.078"

LONG FENCE

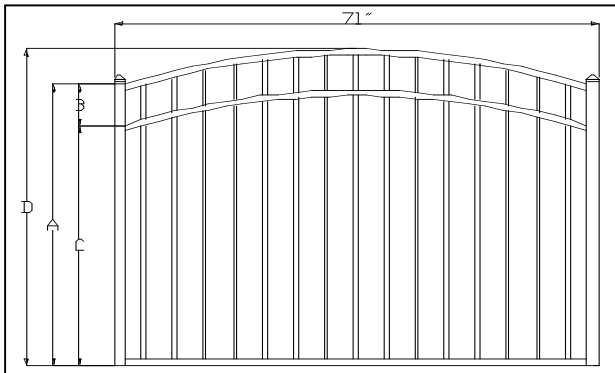
6' Wide Gate Specification Fredericksburg/Heritage Series

A. Standard gate



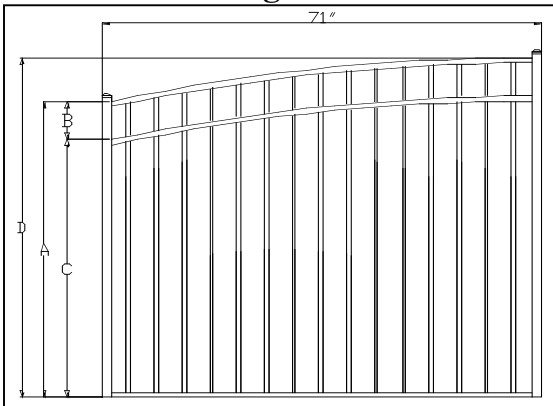
Product Code	A	B	C
FN3-4506	55"	54"	7"

B. Arch gate



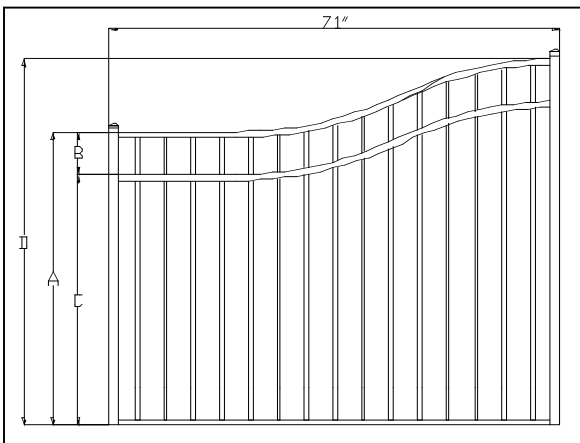
Product Code	A	B	C	D
FN3-4506AR	55"	54"	7"	60"

C. Double drive gate



Product Code	A	B	C	D
FN3-4506DD	55"	54"	7"	62"

D. Eye brow gate



Product Code	A	B	C	D
FN3-4506EB	55"	54"	7"	66"

Note:

1. Gate frame: 1.626" square with wall thickness 0.122"
3. Picket: 3/4" square with wall thickness 0.05"
4. Picket space: 3-11/16"
5. Rail: 1" X 1 1/16" with wall thickness top 0.078", side 0.078"